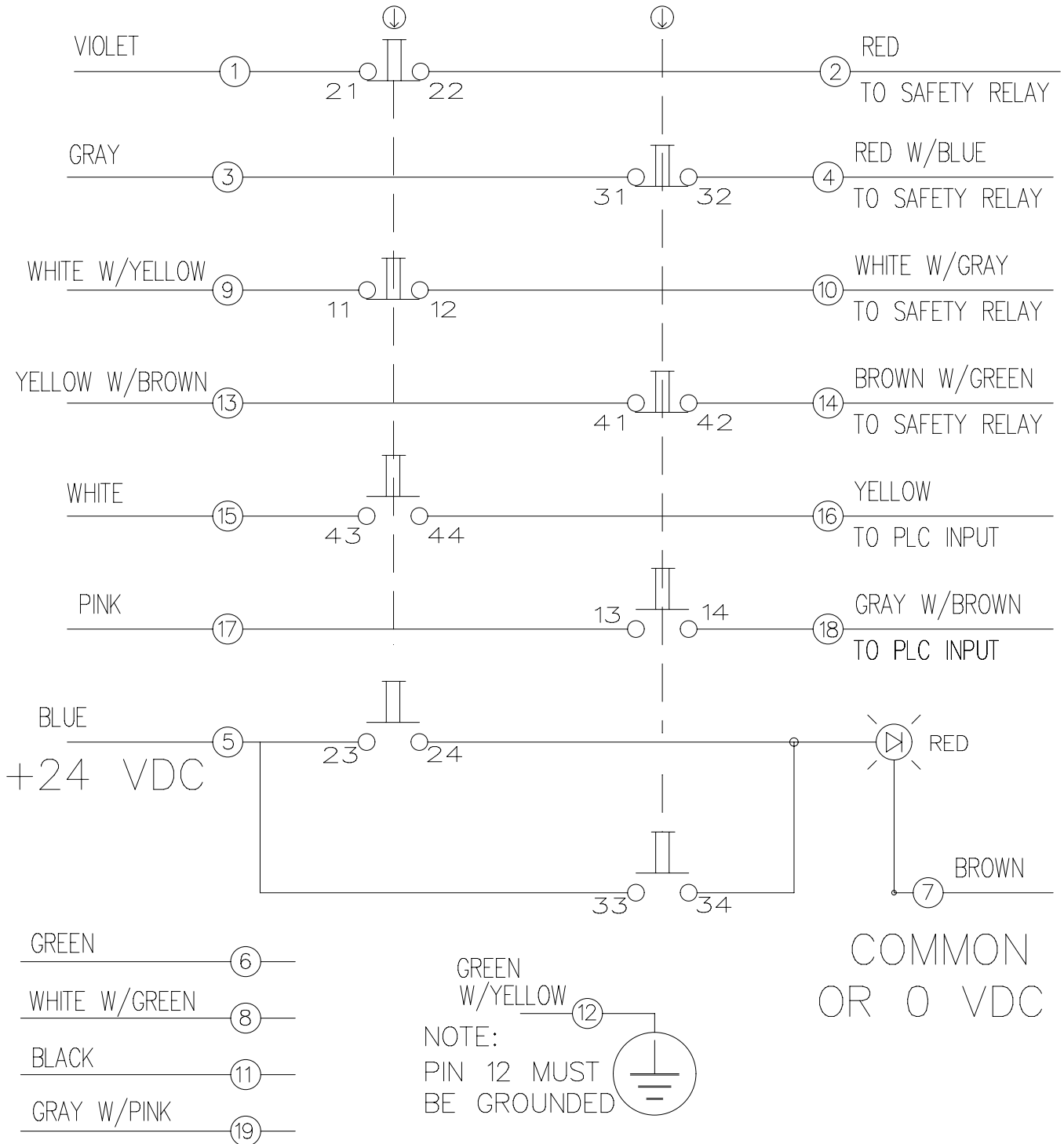


19 PIN MINI-CHANGE CONNECTOR  
LH SIDE RH SIDE



REVISIONS  
6-11-2008 GLH RELEASED ECN 08021

PN 308

**REES, INC.**

PO BOX 652, FREMONT, IN 46737

WIRING DIAGRAM, 95954-244

MATERIAL STANDARD "C" BLOCKS 50703 (NOT MBB)

TOLERANCES UNLESS OTHERWISE SPECIFIED .XX = +/- .01 .XXX = +/- .005 ANGLES = +/- 1°	DRN BY	GLH	PART NO	94954-244
	DATE	6-6-08	DWG NO	A 94954
	CHK'D BY		SCALE	SHT NO 244